

Miniature Low Profile Tension & Compression **LOAD CELL**

DDE Series



- Capacities 200N to 50kN
- Tension and Compression
- Sealed to IP65
- Low Profile and Very Compact
- Integral Male Threads for In-Line Mounting
- Low Deflection
- High Natural Frequency
- Robust Construction
- **3 YEAR WARRANTY**

Options Available

Non-Standard sizes available on request

Other ranges available on request

Shunt Calibration Facility

Spherical Seating Rod End Bearings

Female Adaptors available on request

Compression Fittings available on request

DESCRIPTION

The DDE range of low profile load cells is designed for the measurement of tensile or compressive forces.

The DDE design enables in-line mounting of the load cell in a variety of industrial, research and development applications. It's compact size makes it advantageous in applications where it is not possible to fit conventional load cells, i.e.. 'S' type load cells.

The low deflection and high natural frequency of the DDE offers particular benefits in material testing and cable tension monitoring applications.

The DDE, as with all other Applied Measurements sensors, can be supplied complete with monitoring/control electronics and calibrated as a system (please refer to the Instrumentation datasheets).

Transducer Specialists...

APPLIED MEASUREMENTS LIMITED

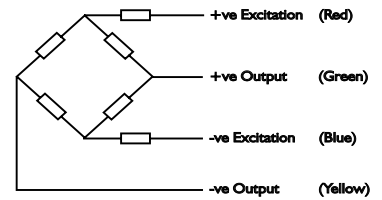
3 MERCURY HOUSE - CALLEVA PARK - ALDERMASTON - BERKSHIRE - RG7 8PN - UK

Tel: (+44) 0118 981 7339 Fax: (+44) 0118 981 9121 email: info@appmeas.co.uk Internet: www.appmeas.co.uk

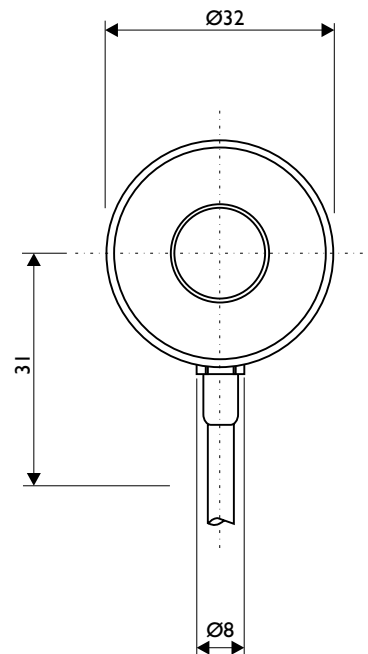
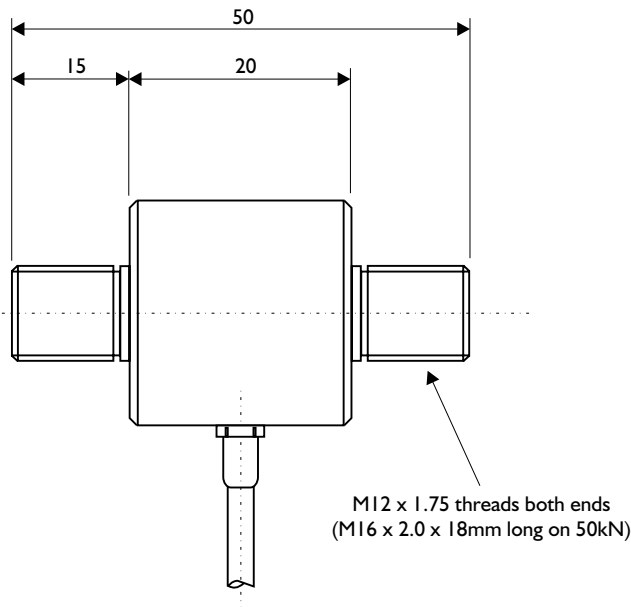


SPECIFICATION

Wiring Schematic Diagram



CHARACTERISTICS	DDE	UNITS
Rated Capacities:	200, 500, 1000, 2000, 5000, 10000, 20000, 50000	N
Rated Output:	2.0 nominal	mV/V
Non-Linearity:	<0.25	±% of Rated Output
Hysteresis:	<0.30	% of Rated Output
Zero Balance:	<1.0	±% of Rated Output
Temperature Range Operating:	-20 to +80	°C
Compensated:	0 to +70	°C
Temperature Effect On Output:	<0.005	±% of Applied Load/ °C
On Zero:	<0.005	±% of Rated Output/ °C
Safe Overload:	150	% of Rated Capacity
Ultimate Overload:	200	% of Rated Capacity
Excitation Recommended:	10	Volts AC or DC
Maximum:	15	Volts AC or DC
Input Impedance:	700	Ohms
Output Impedance:	700	Ohms
Insulation Impedance:	>500	Megaohms
Construction:	Stainless Steel	
Environmental Protection:	IP65	
Cable:	2 Metre 4 Core Screened	



All dimensions in mm

